

TPC-66S

TPC-66T

Intel® XScale Touch Panel Computer with 5.7" QVGA STN LCD Display

Intel XScale Touch Panel Computer with 5.6" QVGA TFT LCD Display



Features

- Intel® XScale PXA processor on board
- 5.7" QVGA color STN LCD
- Super slim and compact design with plastic housing
- Fanless cooling system
- NEMA4/IP65 compliant front panel
- Built-in flash memory and Windows® CE OS
- One CompactFlash® slot
- Automatic data flow control RS-485

Introduction

The TPC-66S models are compact platforms without redundant functions, which have been designed for small-sized operator interface applications. They have 5.7" STN LCD display which is a cost effective choice for a limited budget. Its RISC kernel, the Intel XScale PXA processor consumes minimum power without sacrificing performance. The TPC-66S has 10/100Base-T Ethernet port offering solid communication ability and comes bundled with a Windows® CE OS that supports Thin-Client solutions. The built-in Windows CE OS platform lets TPC-66S become an Open HMI solution for system integration.

Specifications

General

- **Certifications** BSMI, CCC, CE, FCC, UL
- **Cooling System** Fanless design
- **Dimensions (W x H x D)** 195 x 148 x 44.4 mm (7.68" x 5.83" x 1.75")
- **Enclosure** ABS
- **Mounting** Panel
- **OS Support** Built-in Windows CE
- **Power Consumption** 20 W
- **Power Input** 18 ~ 32 V_{DC}
- **Watchdog Timer** Programmable as 250 ms, 500 ms, 1 second
- **Weight (Net)** 0.8 kg (1.76 lb)

System Hardware

- **CPU** Intel XScale PXA270 416 MHz
- **Expansion Slots** 1 x CompactFlash slot
- **Graphics Controller** Controlled by CPU
- **LAN** 1 x 10/100Base-T
- **Memory** 64 MB SDRAM on board
- **Serial Ports** 2 x full RS-232
1 x 4-pin RS-232/RS485
- **Storage** 64 MB Flash memory on board
1 x CompactFlash card (optional)
- **USB Ports** 2 x USB 1.1 (one host, one client)

LCD Display

- **Backlight Life** 60,000/30,000 hrs (TPC-66S/TPC-66T)
- **Contrast Ratio** 55:1/400:1 (TPC-66S/TPC-66T)
- **Display Size** 5.7"/5.6" (TPC-66S/TPC-66T)
- **Display Type** STN LCD/TFT LCD (TPC-66S/TPC-66T)
- **Luminance (cd/m²)** 400/500 (TPC-66S/TPC-66T)
- **Max. Colors** 64 K
- **Max. Resolution** 320 x 240/320 x 234 (TPC-66S/TPC-66T)
- **Viewing Angle (H/V)** 100/55/100/60 (TPC-66S/TPC-66T)

Touchscreen

- **Type** 4-wire, analog resistive
- **Resolution** 1024 x 1024
- **Light Transmission** Above 75%
- **Lifespan** 10 millions times with a silicone rubber of 8 mm diameter finger

Environment

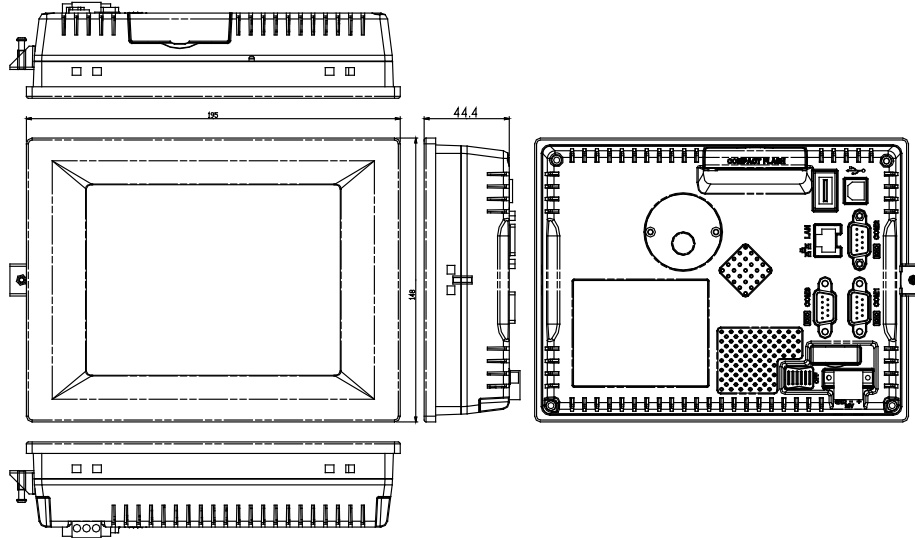
- **Humidity** 10 ~ 95% RH @ 40° C, non-condensing
- **Ingress Protection** Front panel: NEMA4, IP65
- **Operating Temperature** 0 ~ 50° C (32 ~ 122° F)
- **Storage Temperature** -20 ~ 60° C (-4 ~ 140° F)
- **Vibration Protection** 1 Grms (Random, Operating)

Ordering Information

- **TPC-66SN-E2E** 5.7" color STN LCD Display TPC with PXA270 416 MHx CPU, 64 MB SDRAM/64 MB flash on board and Windows CE5.0
- **TPC-66T-E2E** 5.6" color TFT LCD Display TPC with PXA270 416 MHx CPU, 64 MB SDRAM/64 MB flash on board and Windows CE5.0

Dimensions

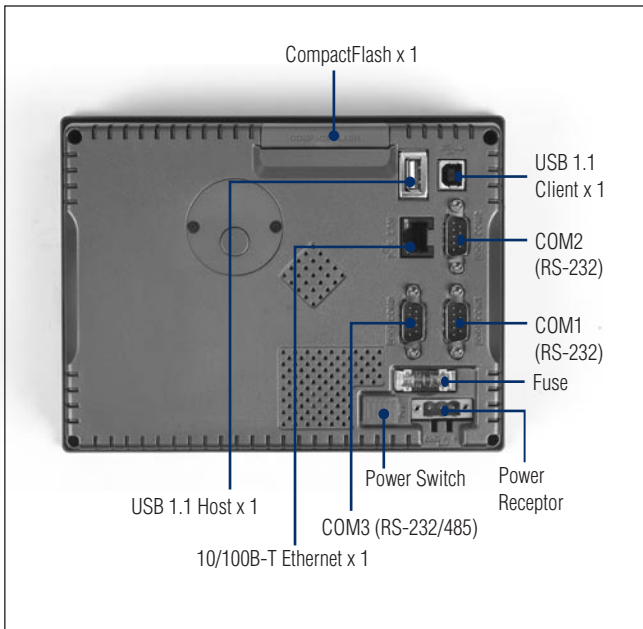
Unit: mm



Panel Cut-out Dimensions: 188.4 x 141.4 mm

Rear View

TPC-66S/TPC-66T



1	PAC & Software
2	BAS
3	UNO
4	RS-485 I/O
5	Ethernet I/O
6	TPC
7	IPPC
8	FPM
9	AWS
10	Plug-in I/O
11	CompactPCI
12	Signal Conditioning
13	USB I/O
14	Motion Control I/O
15	Ethernet Switch
16	EDG
17	ICOM