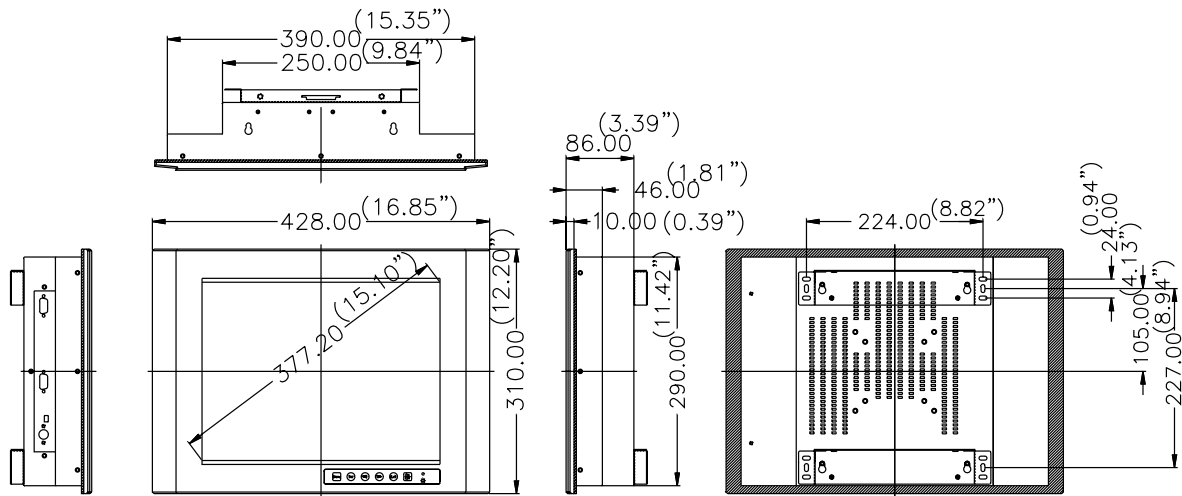


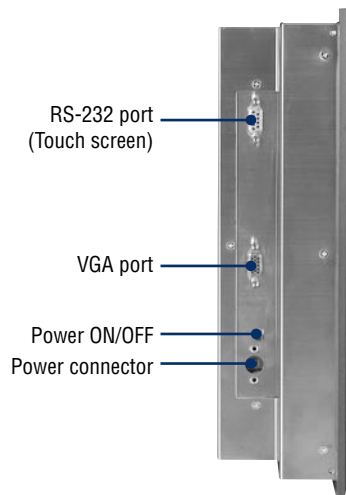
Dimensions

Unit: mm



Cut-out dimension: 396 x 296 mm (15.6" x 11.6")

Rear View



- 1 Software
- 2 IPPC
- 3 TPC
- 4 **FPM**
- 5 ATM & AWS
- 6 DA&C
- 7 cPCI
- 8 ADAM-3000
- 9 Motion Control
- 10 ICOM
- 11 eConnectivity
- 12 UNO
- 13 ADAM-4000
- 14 ADAM-5000
- 15 ADAM-6000
- 16 ADAM-8000
- 17 BAS